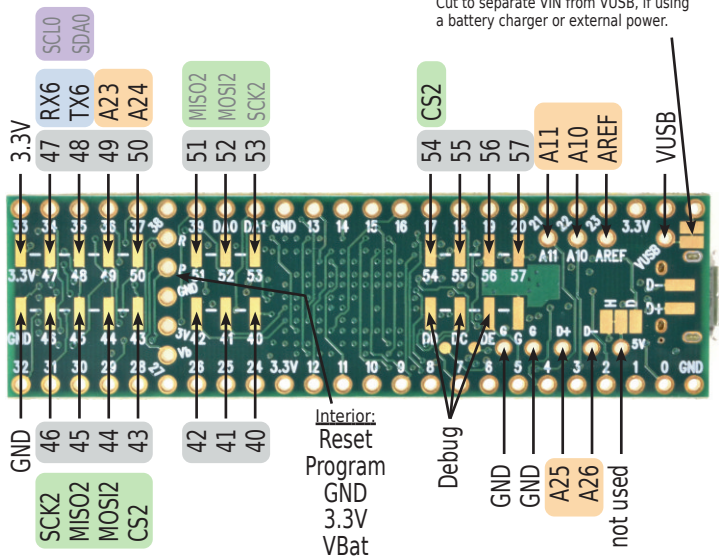


# Teensy<sup>®</sup> 3.5 Back Side

Additional pins and features available on the back side

Cut to separate VIN from VUSB, if using a battery charger or external power.



Teensy 3.5 pins with digital I/O are 5 volt tolerant. Other pins are **not** 5V tolerant. Do not apply more than 3.3V to A10, A11, A21, A22, A25, A26, AREF, Program or Reset.

3V coin cell for RTC

For solutions to the most common issues and technical support, please visit:

[www.pjrc.com/help](http://www.pjrc.com/help)

Teensy 3.5 System Requirements:

PC computer with Windows 7, 8, 10 or later

or Ubuntu Linux 14.04 or later

or Macintosh OS-X 10.8 or later

USB Micro-B Cable

